



4ft. 50W CCT 5000K

Vapor Tight Low-Bay LED Fixture

Low-Bay Luminaires for Commercial and Industrial Buildings

- 5-Years / 50,000 Hours Warranty (*) •
- Bright, High CRI • High Lumen Output •
- Built-in Surge Suppression & Protection •
- High Power Factor • Low THD • Self Ballasted •
- IP65(##) Suitable for Damp & Wet Locations •

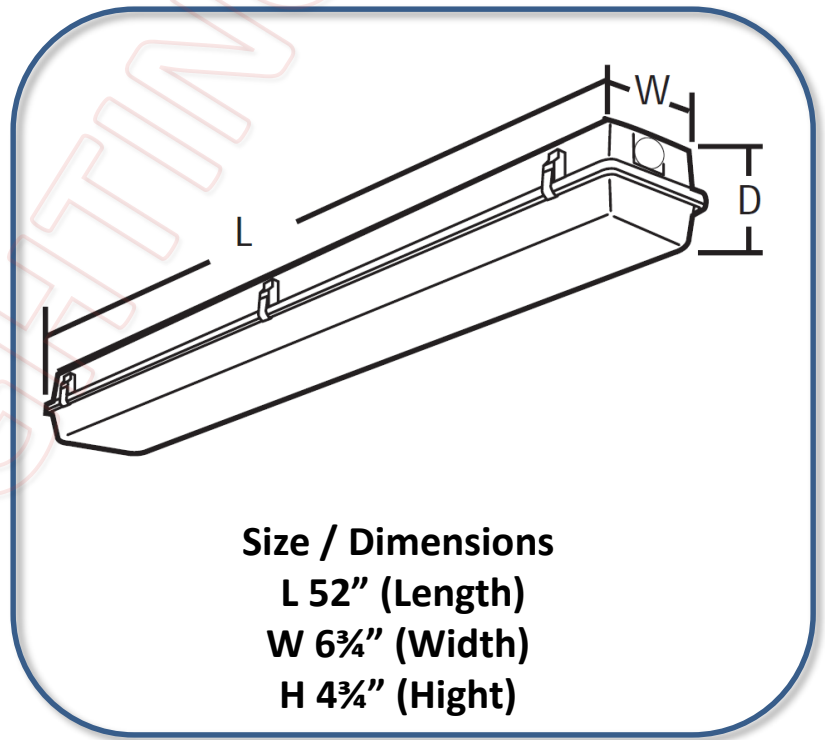
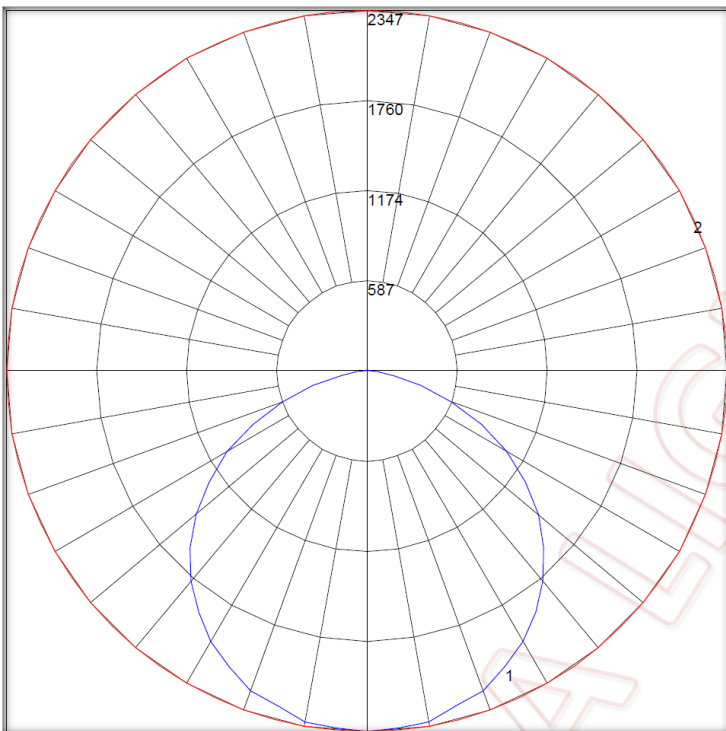
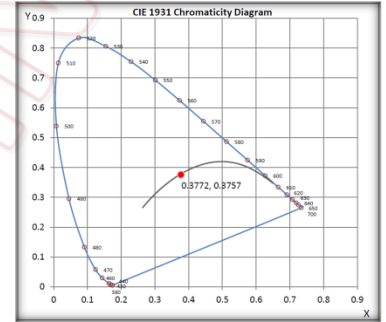
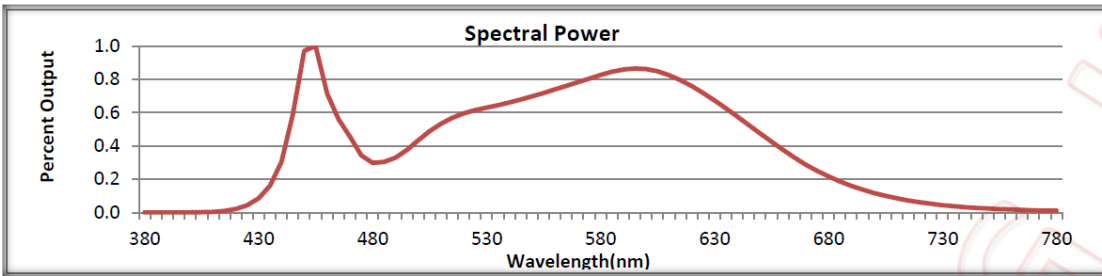


Model	Product	Power	Flux	Equivalent
VPL-4FTF-50W-55K	LED Low-Bay Luminaire 4ft. 50W 5000K Frosted	50W Typ.	7,641 Lumen	4 x F32T8/12 (4ft. 32W ea.)
DLC Model Number: VPL-4FTF-50W-55K DLC QPL ID # PI4PIOJC	Indoor Luminaires High-Bay Low-Bay Luminaires for Commercial and Industrial Buildings			2 x F54T5HO (4ft. 54W ea.)
Manufacture: OLYMPIA				HID 150W/175W

- 120-277Vac ~50/60Hz • Pigtail Wire • P.F. > 0.9 • THD < 20% • 153 lm/W •
- "50K" = CCT 5000K ±10% • CRI ≈ 85 • (##) IP65 ≈ NEMA Enclosure Rating 4 •
- (*) Rated Life > 50,000 Hrs. (L₇₀ B₅₀) at T_[A] 25°C Max. •



50W 5000K Low-Bay LED Luminaire



Model	Product	Power	Equivalent
VPL-4FTF-50W-50K	LED Low-Bay Luminaire 4ft. 50W 5000K	50W Typ.	2 x F54T5HO HID 150W/175W
Input Voltage	Power Factor / THD	Efficacy	Flux
120-277Vac ~50/60Hz	P.F. ≈ 0.93 THD < 20%	153 lm/W	7,641 Lumen
Color Rendering	Color Temperature	Beam Angle	Life
CRI ≈ 85	CCT 5000K ±10%	~90°	50,000 Hours (L ₇₀ B ₅₀) T _[A] 25°C Max.