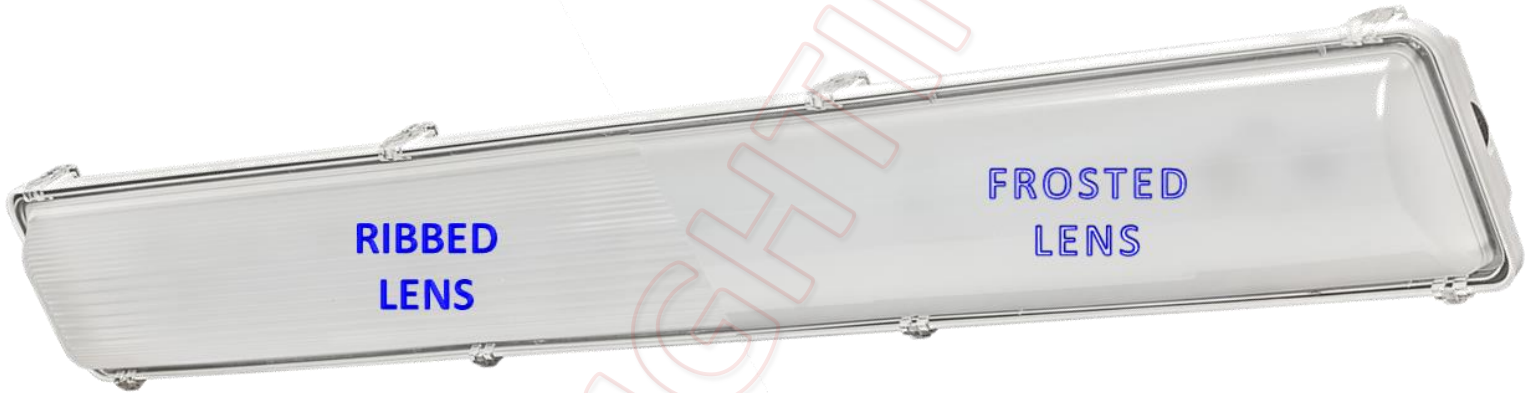




8ft. Vapor Tight LED Fixture

LED Parking Garage Luminaires

- 5-Years / 50,000 Hours Warranty (*) •
- Bright, High CRI • High Lumen Output •
- Built-in Surge Suppression & Protection •
- High Power Factor • Low THD • Self Ballasted •
- IP65(##) Suitable for Damp & Wet Locations •

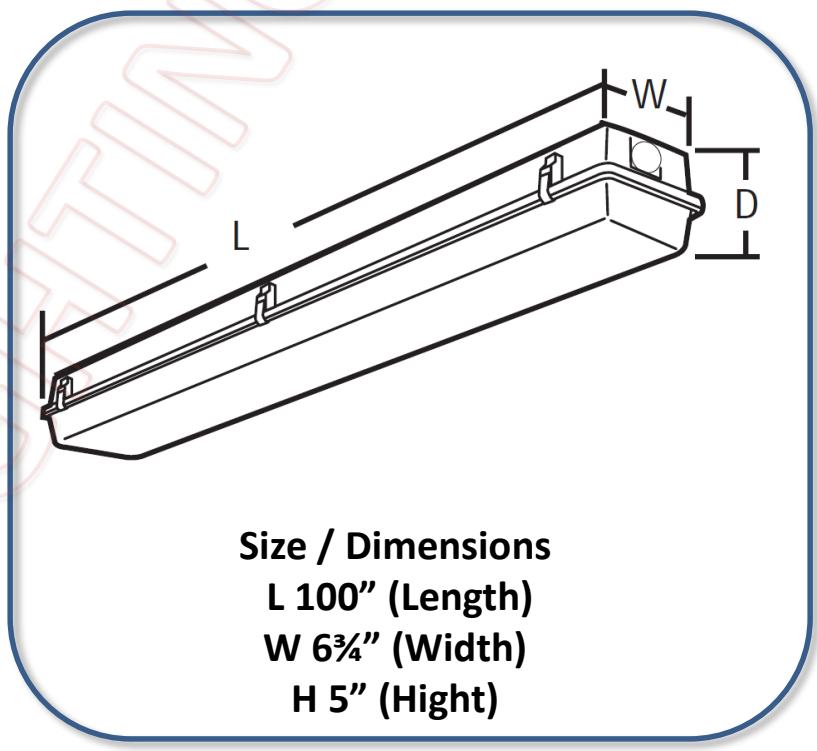
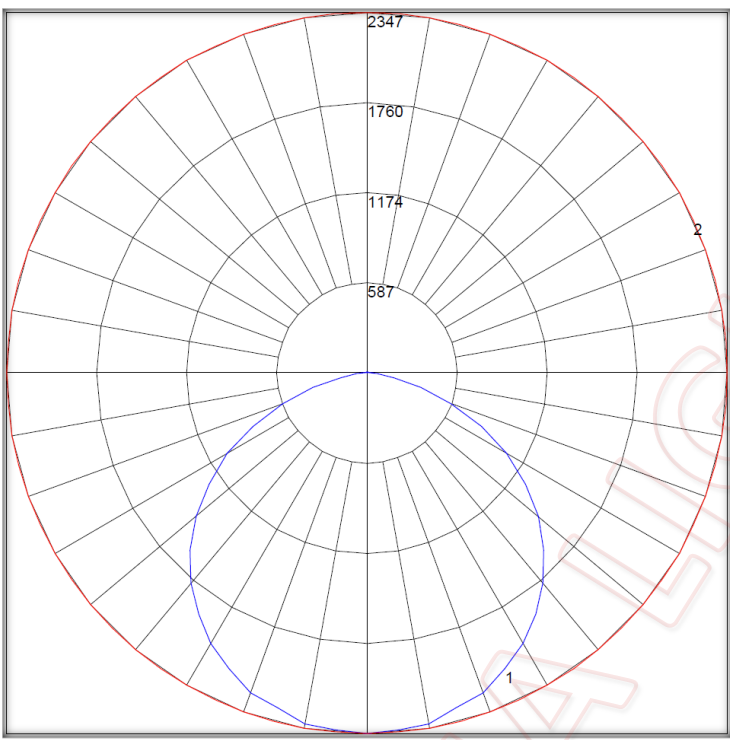
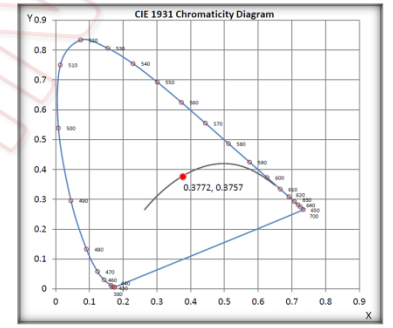
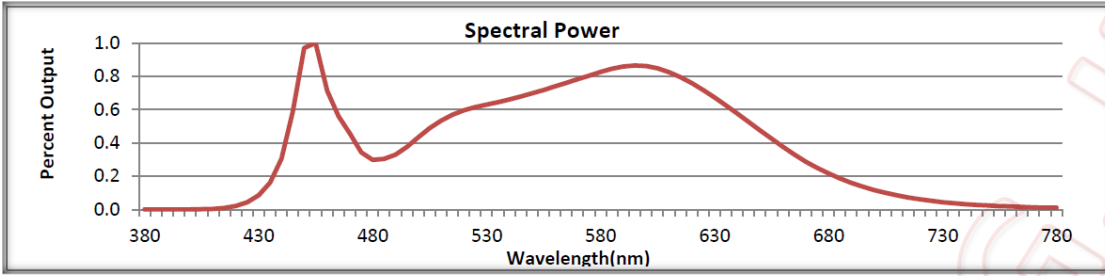


Model	Product	Power	Flux	Equivalent *
VPL-8FT-100W-55K	LED Vapor Tight Fixture 8ft. 100W 5500K	100W	16,000 Lumen	4 x F32T8/12 (4ft. 32W ea.) 2 x F54T5HO (4ft. 54W ea.) 2 x F96T8/12 (8ft. 75W ea.)

- 120-277Vac ~50/60Hz • Pigtail Wire • P.F. > 0.9 • THD < 20% • ~160 lm/W •
- "50K" = CCT 5000K ±10% • CRI ≈ 85 • (##) IP65 ≈ NEMA Enclosure Rating 4 •
- (*) Rated Life > 50,000 Hrs. (L₇₀ B₅₀) at T_[A] 25°C Max. •



8ft. Vapor Tight LED Fixture



Model	Product	Power	Equivalent
VPL-8FT-100W-50K	LED Parking Garage Luminaire 8ft. 100W 5000K	100W Typ.	2 x F54T5HO (4ft. 54W ea.)
Input Voltage	Power Factor / THD	Efficacy	Flux
120-277Vac ~50/60Hz	P.F. ≈ 0.99 THD ≈ 9~12%	~160 lm/W	16,000 Lumen
Color Rendering	Color Temperature	Beam Angle	Life
CRI ≈ 85	CCT 5000K ±10%	~90°	50,000 Hours (L ₇₀ B ₅₀) T _[A] 25°C Max.