



200W LED Shoebox Fixture

Outdoor Pole/Arm-Mounted Area and Roadway Luminaire

- Built-in Surge Suppressors & Protection •
- Bright • High CRI • High Lumen Output •
- 5-Years / 50,000 Hours Warranty (*) •

Powered by
PHILIPS
LUMILEDS

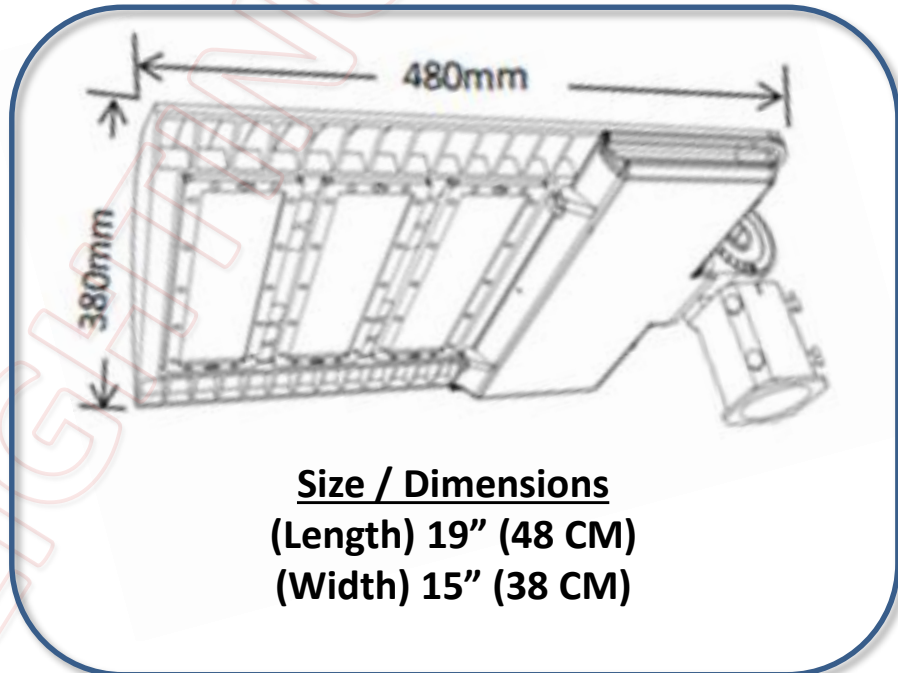
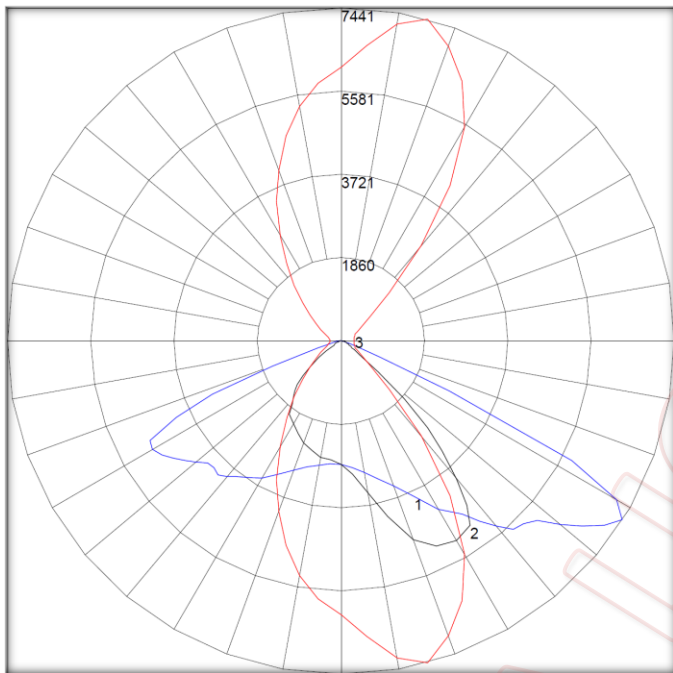
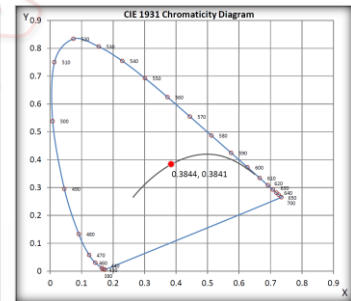
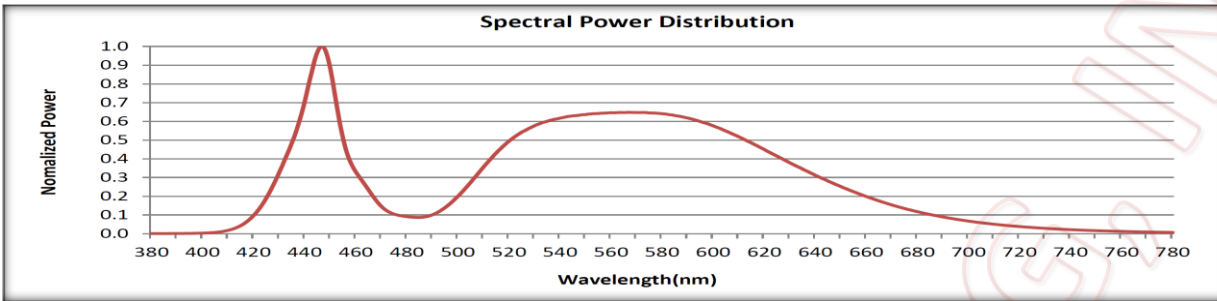


Model	Product	Power	Flux	Equivalent
SBL-200W-50K-277V	LED Shoe Box Fixture 200W 5000K 277V	200W Typ.	30,000 Lumen	1,000W Metal Halide Lamp
SBL-200W-50K-480V	LED Shoe Box Fixture 200W 5000K 480V			

- 120-277Vac ~50/60Hz • Pigtail Wire/Cable • P.F. > 0.9 • THD <20% • 150 lm/W •
- (*) Rated Life > 50,000 Hrs. (L₇₀ B₅₀) at T_[A] 25°C Max. • CCT 5000K (50K) ±10% • CRI ≈ 73 •
- Operating Temperature Range -20°C (-4°F) to +45°C (113°F) @ 20%~90% RH •



200W LED Shoebox Fixture



Size / Dimensions
 (Length) 19" (48 CM)
 (Width) 15" (38 CM)

Model	Product	Power	Equivalent
SBL-200W-50K-277V	LED Shoebox Luminaire 200W 5000K 277V	200W	1,000W MH/HPS
Input Voltage	Power/Power Factor	Efficacy	Flux
120-277Vac ~50/60Hz	200W P.F. ≈ 0.99	150 Lumens per Watt	30,000 Lumens
Color Rendering	Color Temperature	Beam Angle	Life
CRI 70	50K ÷ CCT 5000K ±10%	150°x75°	5-Years / 50,000 Hrs (L ₇₀ B ₅₀) T _A 25°C Max.