



# 320W LED Shoebox Fixture

## Outdoor Pole/Arm-Mounted Area and Roadway Luminaire

- Built-in Surge Suppressors & Protection •
- Bright • High CRI • High Lumen Output •
- 5-Years / 50,000 Hours Warranty (\*) •

Powered by  
**PHILIPS**  
LUMILEDS

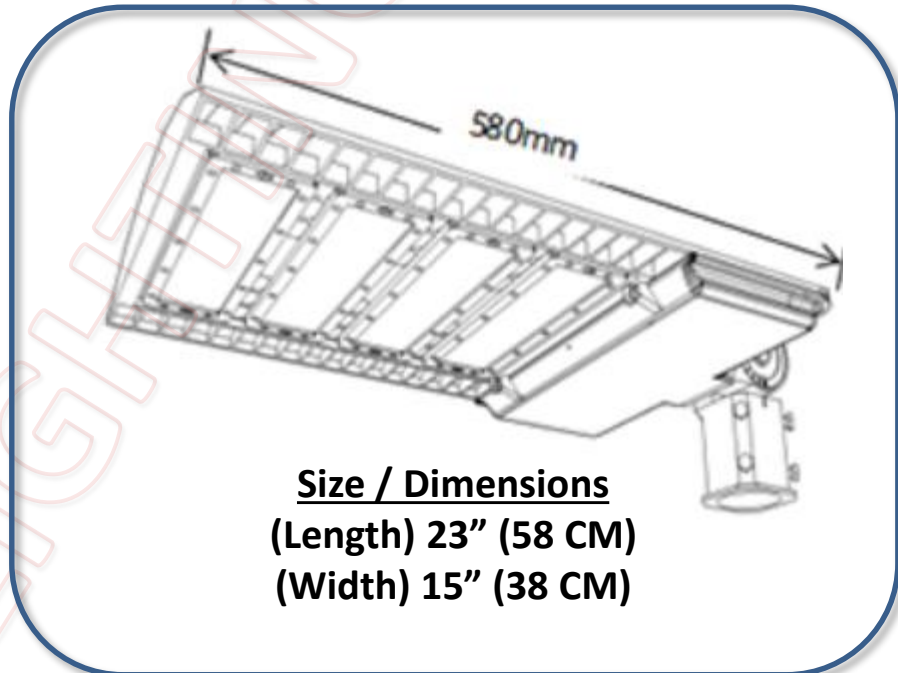
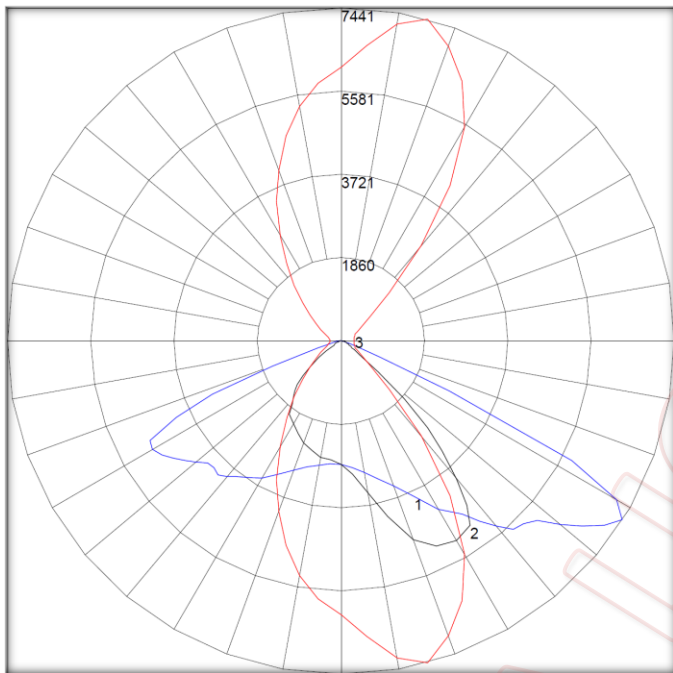
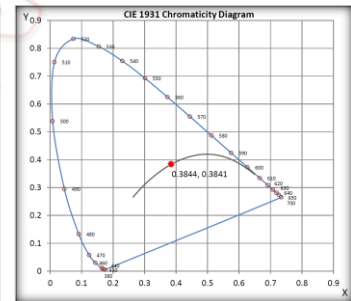
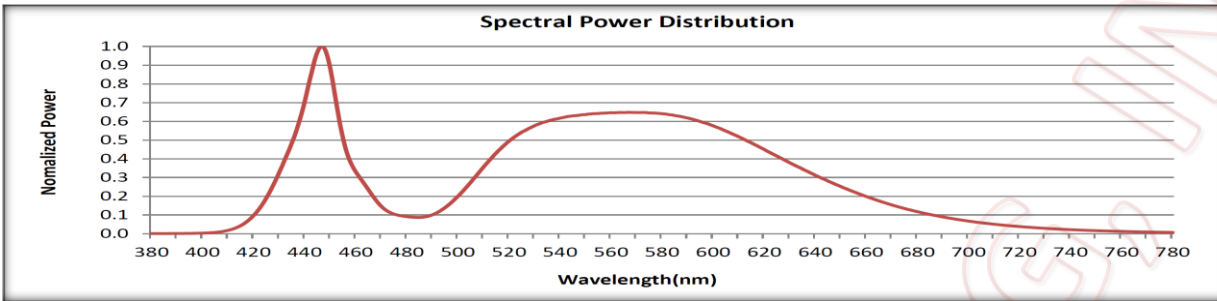


Model	Product	Power	Flux	Equivalent
SBL-320W-50K-277V	LED Shoe Box Fixture 320W 5000K 277V	320W Typ.	48,000 Lumen	1,000W ~ 1,500W Metal Halide Lamp
SBL-320W-50K-480V	LED Shoe Box Fixture 320W 5000K 480V			

- 120-277Vac ~50/60Hz • Pigtail Wire/Cable • P.F. > 0.9 • THD <20% • 150 lm/W •
- (\*) Rated Life > 50,000 Hrs. (L<sub>70</sub> B<sub>50</sub>) at T<sub>[A]</sub> 25°C Max. • CCT 5000K (50K) ±10% • CRI ≈ 75 •
- Operating Temperature Range -30°C (-22°F) to +45°C (113°F) @ 20%~90% RH •



# 320W LED Shoebox Fixture



**Size / Dimensions**  
 (Length) 23" (58 CM)  
 (Width) 15" (38 CM)

Model	Product	Power	Equivalent
SBL-320W-50K-480V	LED Shoebox Luminaire 320W 5000K 480V	320W	1,000W -1.500W MH/HPS
Input Voltage	Power/Power Factor	Efficacy	Flux
208-480Vac ~50/60Hz	320W P.F. ≈ 0.99	150 Lumens per Watt	48,000 Lumens
Color Rendering	Color Temperature	Beam Angle	Life
CRI 70	50K ÷ CCT 5000K ±10%	150°x75°	5-Years / 50,000 Hrs (L <sub>70</sub> B <sub>50</sub> ) T <sub>[A]</sub> 25°C Max.