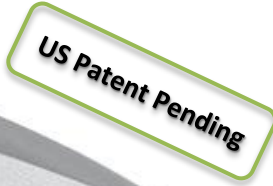




90W LED Street Light Fixture

Outdoor Pole/Arm-Mounted Area and Roadway Luminaire

HID LED Replacement for Longer Life & Greater Energy Efficiency in Street Lights & Shoeboxes



Features & Benefits:

- Dimmable, Photocell & Wireless Ready
- 7-Pin NEMA Socket + Shorting Plug
- 10-Years | 50,000 Hours Warranty (*)
- High CRI • High Lumen Output
- High Power Factor • Low THD
- 20KV/10KA Surge Protection

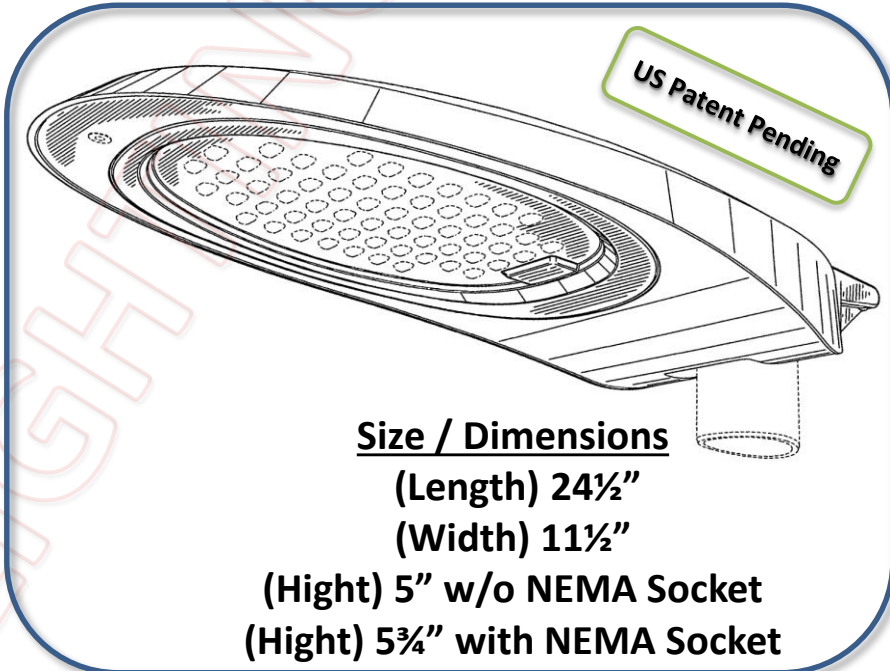
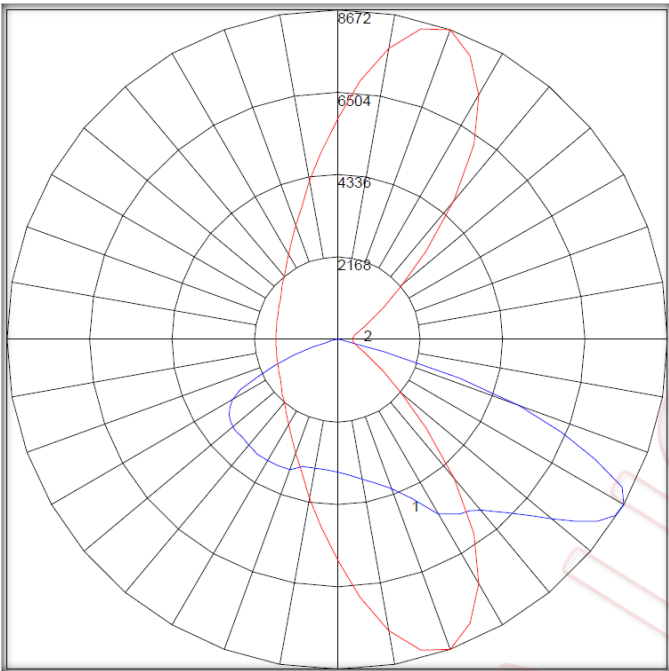
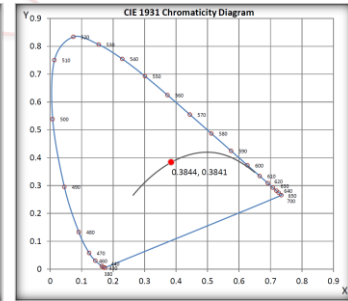
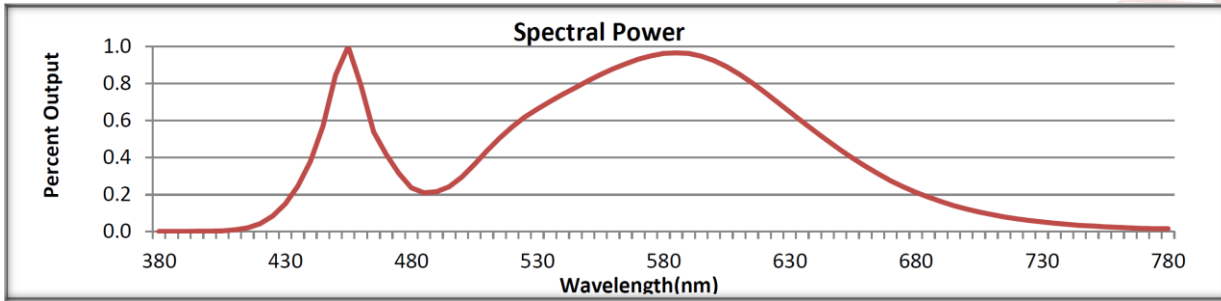


Model	Product	Size	Power	Flux	Equivalent
STL-90W-30K-277V	LED Street Light 90W 3000K 277V	L: 24½" W: 11½" H: 5 / 5¼"	90W	14,800 Lumens	400W HPS
STL-90W-40K-277V	LED Street Light 90W 4000K 277V	————— L: 62cm	90W	14,800 Lumens	400W MH/HPS
STL-90W-55K-277V	LED Street Light 90W 5500K 277V	W: 29cm H: 13 / 15cm	90W	14,800 Lumens	400W MH

- "277V" 120-277Vac ~50/60Hz • Terminal Block Connection • P.F. > 0.9 • THD < 20% •
 - Standard Color Temp. (CCT) 40K = 4000K ±10% (**)
 - 161 Lumen per Watt • CRI ≈ 75 •
 - (*) Rated Life 50,000 Hrs. (L₇₀ B₅₀) at T_[A] 45°C Max. •
 - Operating Temperature Range -20°F to 120°F (-30°C to 50°C) •
- "Equivalent" ÷ Comparable Equivalence to HID (MH, HPS, LPS) Lamp & Fixtures •
- (***) Color Temp. 55K = 5500K, 40K = 4000K & 30K = 3000K ±10% or others Available on Request •



90W LED Street Light Fixture



Size / Dimensions
 (Length) 24½"
 (Width) 11½"
 (Height) 5" w/o NEMA Socket
 (Height) 5¾" with NEMA Socket

Model	Product	Power	Equivalent
STL-90W-40K-277V	LED Street Light 90W 4000K 277V	90W	400W MH/HPS
Input Voltage	Power/Power Factor	Efficacy	Flux
120-277Vac ~50/60Hz	90W P.F. ≈ 0.97	161 lm/W	14,800 Lumen
Color Rendering	Color Temperature	Beam Angle	Life
CRI 75	30K ÷ CCT 3000K ±10% 40K ÷ CCT 4000K ±10% 55K ÷ CCT 5500K ±10%	150°x75°	10-Years / 50,000 Hrs (L ₇₀ B ₅₀) T _[A] 45°C Max.