



4ft. & 8ft. Vapor Proof LED Fixture

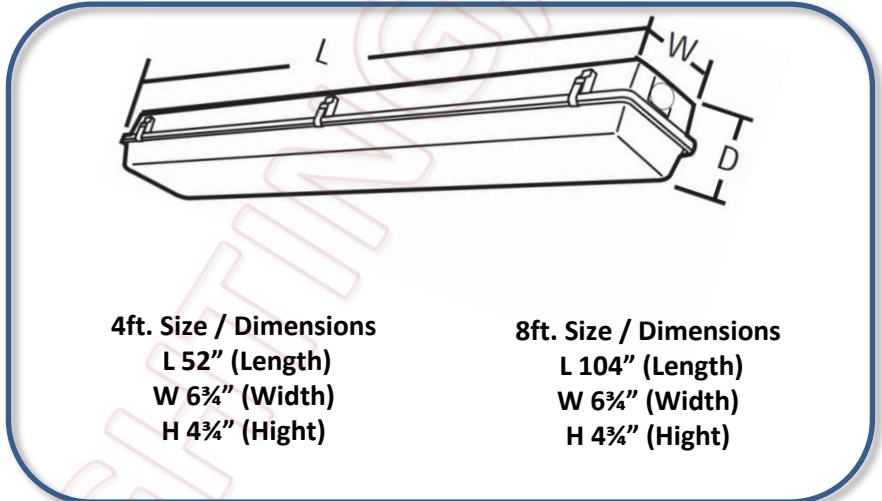
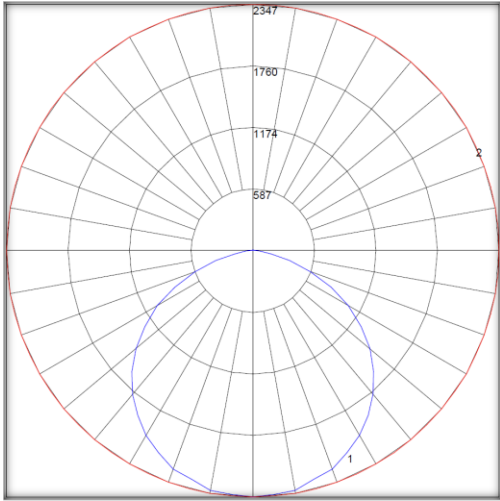
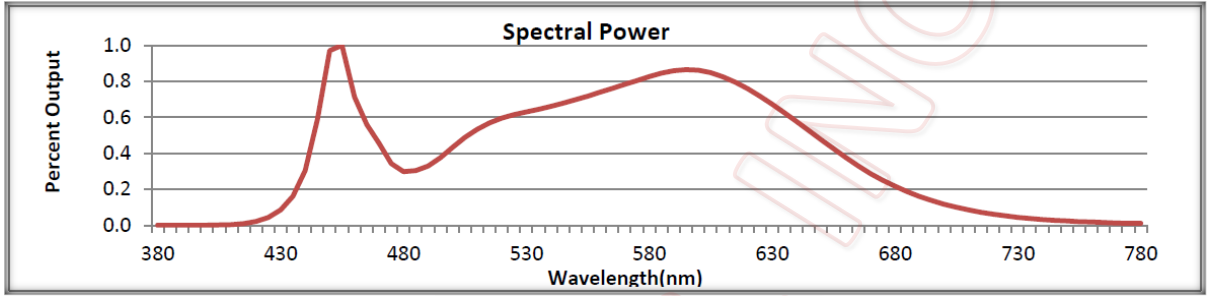
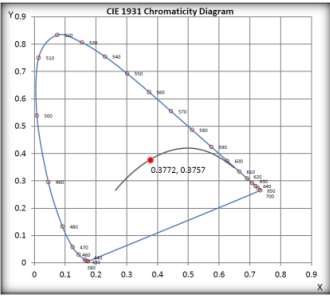
LED Direct Linear Ambient Luminaires

- 5-Years / 50,000 Hours Warranty (*) •
- Bright, High CRI • High Lumen Output •
- Built-in Surge Suppression & Protection •
- High Power Factor • Low THD • Self Ballasted •
- IP65(##) Suitable for Damp & Wet Locations •



Model	Product	Power	Flux	Equivalent *
VPL-4FT-30W-55K	Vapor Proof Luminaire 4ft. 30W 5000K	30W Typ.	5,060 Lumen	4 x F17T8/12 (2ft. 17W ea.)
VPL-4FT-40W-55K	Vapor Proof Luminaire 4ft. 40W 5000K	40W Typ.	6,400 Lumen	1~2 x F32T8/12 (4ft. 32W ea.)
VPL-4FT-50W-55K	Vapor Proof Luminaire 4ft. 50W 5000K	50W Typ.	8,000 Lumen	1~2 x F54T5HO (4ft. 54W ea.)
VPL-8FT-60W-55K	Vapor Proof Luminaire 4ft. 60W 5000K	60W Typ.	10,120 Lumen	4 x F32T8/12 (4ft. 32W ea.)
VPL-8FT-80W-55K	Vapor Proof Luminaire 4ft. 80W 5000K	80W Typ.	12,800 Lumen	2 x F54T5HO (4ft. 54W ea.)
VPL-8FT-100W-55K	Vapor Proof Luminaire 4ft. 100W 5000K	100W Typ.	16,000 Lumen	2 x F96T8/12 (8ft. 75W ea.)

- 120-277Vac , 208-480Vac ~50/60Hz • Pigtail Wire • P.F. > 0.9 • THD < 20% • 169 lm/W •
- "55K" = CCT 5000K ±10% • CRI 83 • (##) IP65 ≈ NEMA Enclosure Rating 4 •
- (*) Operating Temperature -20C - +55C •



Model	Lens	Wattage	Dimming	CCT	Voltage
-------	------	---------	---------	-----	---------

Ordering Part Number Example : VPL-4FTx-50W-55K-277V xx

VPL	F : Frosted R : Ribbed	4ft: 30W , 60W 40W , 8ft: 80W 50W , 100W	(Blank) : Non Dimming "D" : 0-10 Dimming	30K : 3,000K 40K : 4000K 55K : 5,500K	"277V": 120-277Vac "480V": 208-480Vac "347": 347Vac
-----	---------------------------	---	---	---	--

Accessories

Occupancy Sensors	Cord & Plug	Emergency Battery Backup
"MS": Motion Sensor	"CP": 6ft. Cord & Plug	"BU": 2000 lumens for a minimum of 90 minutes
VPL-CT2-MB-2L STD 2-Pack Flat Bracket for VPL	VPL-CT2-MB-2L45-2-45D 2-Pack (45 Degree Bracket for VPL)	