



10W 12A Solar LED Street Light

New Cutting Edge Technology

Eco Integrated Solar LED Street Light

Independently Light up dark areas without electricity !

Small and Lightweight with Built in Motion Sensor and Photocell

- Dusk to Dawn Sensor •
- Beam angle: 150° x 70° •
- Long Life Lithium-ion Battery •
- IP65 | Temp. Range -20°C to 65°C •
- Programable, Integrated Motion Sensor •
- High efficiency Monocrystalline Solar Panel •
- 10-Years Solar | 5-Years Battery | 50,000 Hours Lifetime (*) •



Powered by
PHILIPS
LUMILEDS

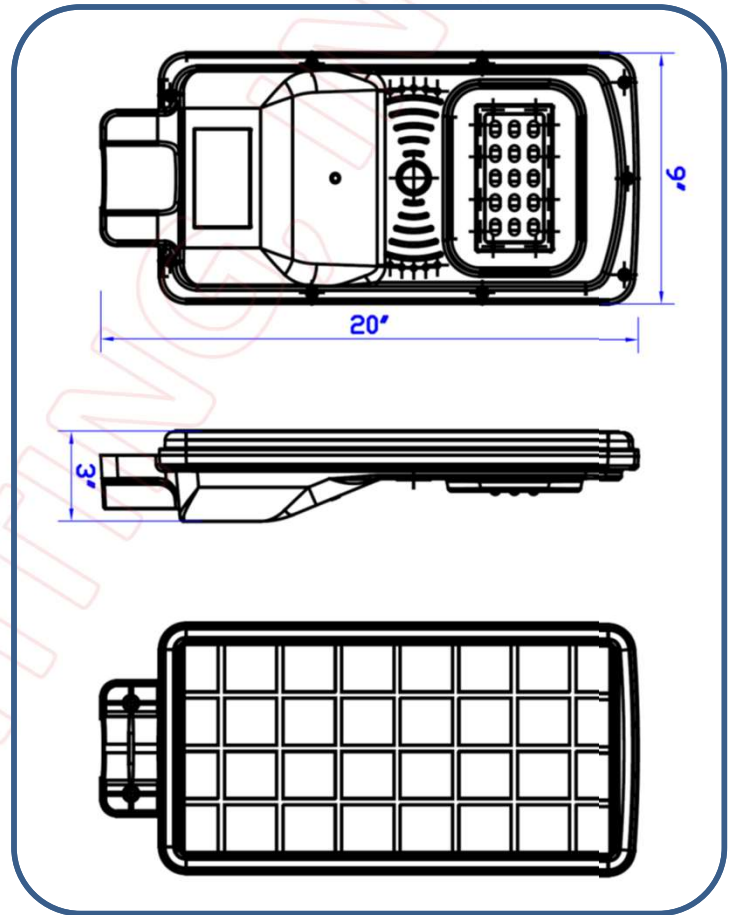
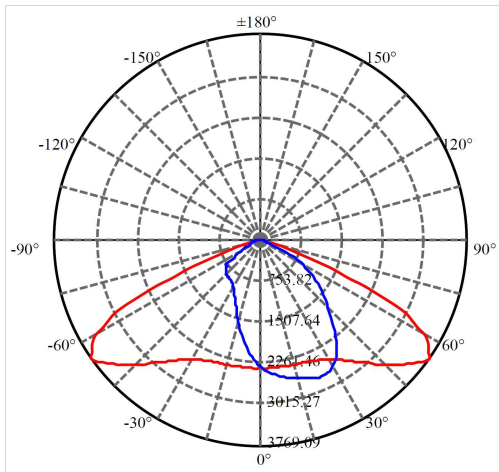
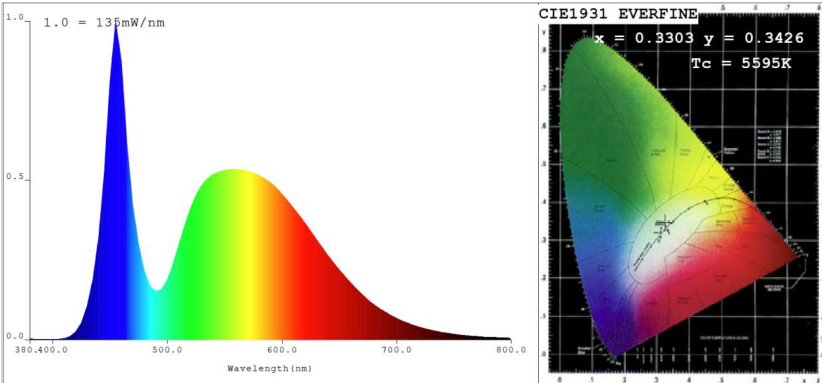


| Model | Product | Size | Power | Flux | Equivalent |
|--------------------|-------------------------------------------------------------------------------|-------------------------------|---------------------------------------|-----------------------------|------------|
| SLSL-10W12A-55K-MS | Eco Integrated Solar LED Street Light 10W 12A 55K Motion + Photo Sensor | (L) 20" (W) 9¼" (H) 3½" | Solar: 10W Battery: 3.7V x 12AH | 1,300 lm (in Full Power) | 100W MH |

- Typical 8 Hours per Night • 3 Days (Nights) in Intelligent Mode • Motion Sensor Range 16ft, 120° •
- Color Temp. (CCT) 5500K ±10% • 130 Lumen per Watt • CRI ≈ 80 •
- (*) Rated Life 50,000 Hrs. (L₇₀ B₅₀) at T_[A] 25°C Max. • Rust-Free Aluminum Die-Cast Construction •



10W 12A Solar LED Street Light



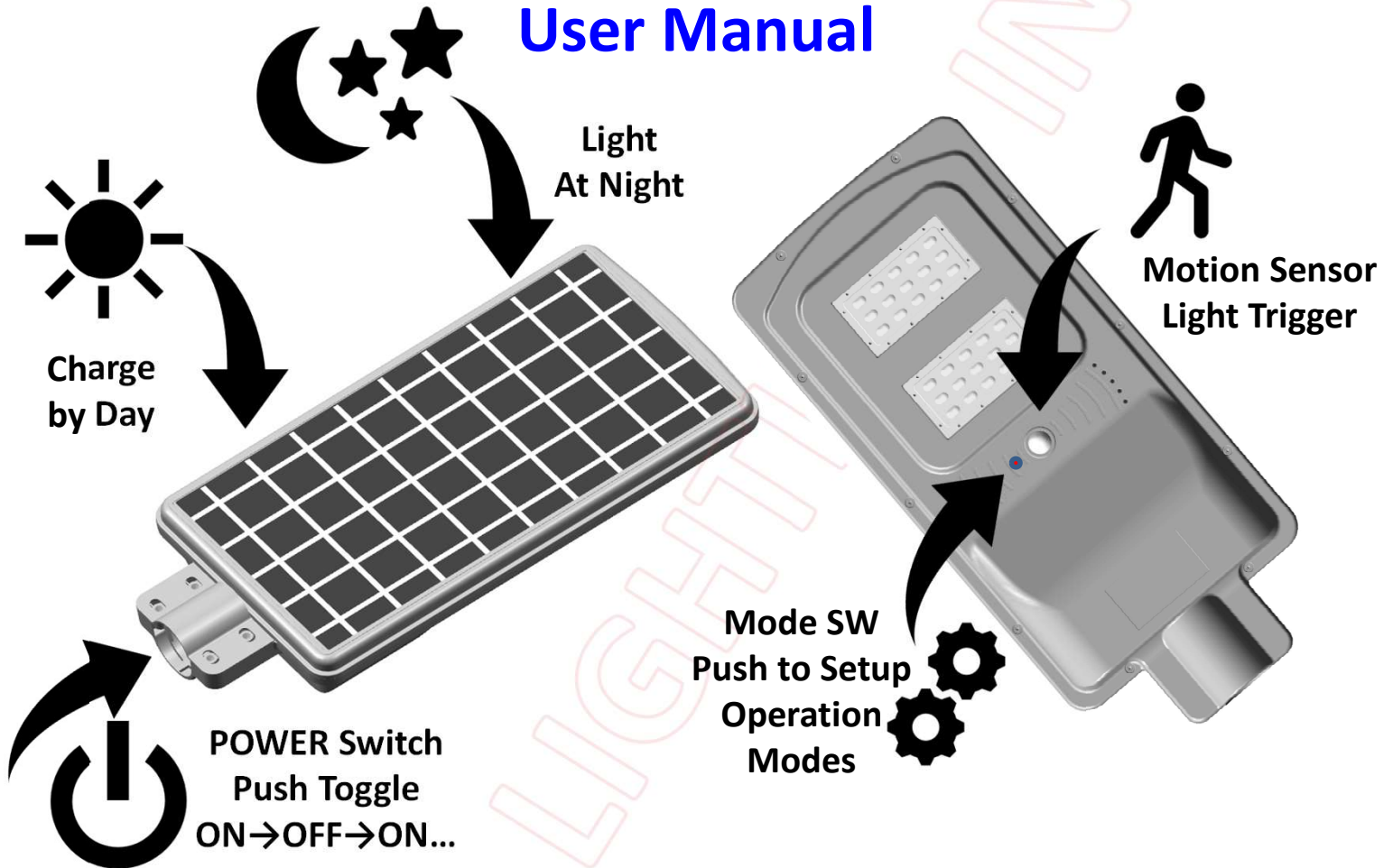
- Rust-Free Heavy-Duty Aluminum Die-Cast Construction •

| Model | Product | Power | Equivalent |
|----------------------------------------------------------------------------------------------------------------|-------------------------------------------------------------------------------|---------------------------------------|---------------------------------|
| SLSL-10W12A-55K-MS | Eco Integrated Solar LED Street Light 10W 12A 55K Motion + Photo Sensor | Solar: 10W Battery: 3.7V x 12AH | 100W MH |
| Input Voltage | Power/Power Factor | Efficacy | Flux |
| Independent Solar Operation: Charge by Day – Light at Night | Solar: 10W Battery: 3.7V x 12AH | ~130 lm/W | 1,300 Lumens (in Full Power) |
| Life & Warranty | | Beam Angle | Color Rendering |
| 10-Years Solar 5-Years Battery 50,000 Hours (L ₇₀ B ₅₀) T _[A] 25°C Max. | | 150° x 70° | CRI ÷ 75~80 CCT 5,500K ±10% |



10W 12A Solar LED Street Light

User Manual



Dual Function Solar Panel:

- Charge the Built-in Battery by Day
- Dusk to Dawn Photo Cell Sensor

MODE A: Full Light for 30 seconds while Motion is detected, thereafter Light at 25% Power when No Motion Sensed

Integrated Motion Sensor:

- Sense Body Motion and Triggers Light
- Re-Trigger Light when Body in Motion

MODE B: Full Light for 30 seconds while Motion is detected, thereafter No Light (Light Turns OFF when No Motion sensed)

Push Toggle POWER Switch:

- Turns Power OFF when Lamp not in use
- Push SW Toggles Lamp ON→OFF→ON...

MODE C: Light is Always-On, at 50% Power. (Solar Panel is the Photo Cell Sensor for Dusk to Dawn operation)

Mode SW – Push to Set Operation Modes:

- Starts in MODE A when Power SW is ON
- Push & Hold SW 1 sec. to toggle Modes

MODE D: No Light (Shutdown). Use to Charge Battery during day.