



# 60W LED Wall Packs

## Outdoor Non-Cutoff and Semi-Cutoff Wall-Mounted Area Luminaires

### Features & Benefits:

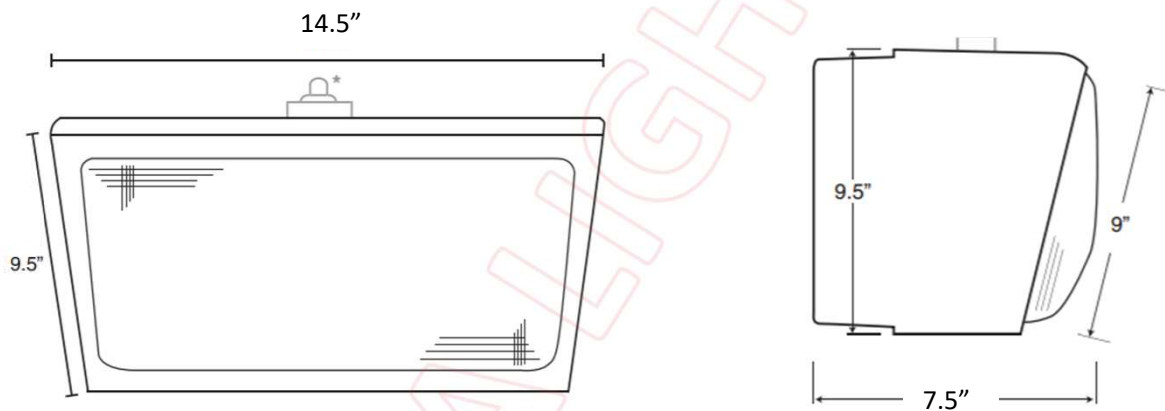
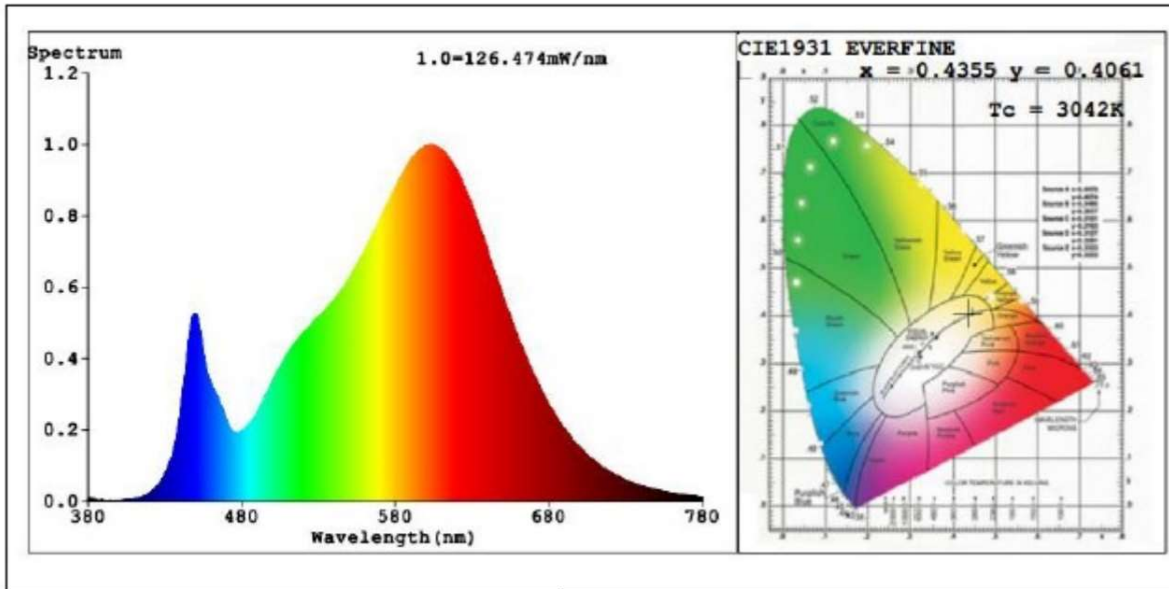
- Great Energy Savings !
- 5-Years | 50,000 Hours Warranty (\*)
- High Power Factor – UL Listed Driver
- Bright – High CRI – High Lumen Output
- Built-in Surge Suppressors & Protection
- CCT 5,000K ideal for MH Lamps Replacement



Model	Product	Size	Power	Flux	Equivalent
WP-60W-55K-277V	LED Wall-pack Luminaire 60W 5700K	(W) 14¼" (H) 9¼" (D) 7¾"	60W Typ.	7,200 Lumen	HID 250W
DLC Model Number: WP-60W-D-LV-D-CW DLC QPL ID #: PLFCWUC8M1YG	Main Category: Outdoor Luminaires Primary Use: Outdoor Non-Cutoff and Semi-Cutoff Wall-Mounted Area Luminaires				
Manufacture: OLYMPIA					

- 120-277Vac ~50/60Hz • Pigtail Wire • P.F. > 0.9 • THD < 20% •
- "55K" = CCT 5700K ±10% • CRI ≈ 85 • 117 lm/W •
- (\*) Rated Life > 50,000 Hrs. (L<sub>70</sub> B<sub>50</sub>) at T<sub>[A]</sub> 25°C Max. •

# 60W LED Wall Pack



Model	Product	Power	Equivalent
WP-60W-55K-277V	Wall Pack LED Fixture 60W CCT 5500K	60W	250W MH Lamp
<b>Input Voltage</b>	<b>Power/Power Factor</b>	<b>Efficacy</b>	<b>Flux</b>
"277V": 120-277Vac ~50/60Hz "480V": 208-480Vac ~50/60Hz	60W Max. P.F. ≈ 0.97	~120 lm/W	7,200 Lumen
<b>Color Rendering</b>	<b>Color Temperature</b>	<b>Beam Angle</b>	<b>Life</b>
CRI ÷ 75~80	CCT 5500K ±10%	110°	50,000 Hours (L <sub>70</sub> B <sub>50</sub> ) T <sub>[A]</sub> 25°C Max.