



Smart LED Lighting

# 420W LED Shoebox Fixture

## Outdoor Pole/Arm-Mounted Area and Roadway Luminaire

- 5-Years / 50,000 Hours Warranty (\*) •
- Bright • High CRI • High Lumen Output •
- Built-in Surge Suppressors & Protection •



Powered by  
**PHILIPS**  
LUMILEDS



- Wet location rated and corrosion resistant aluminum housing •

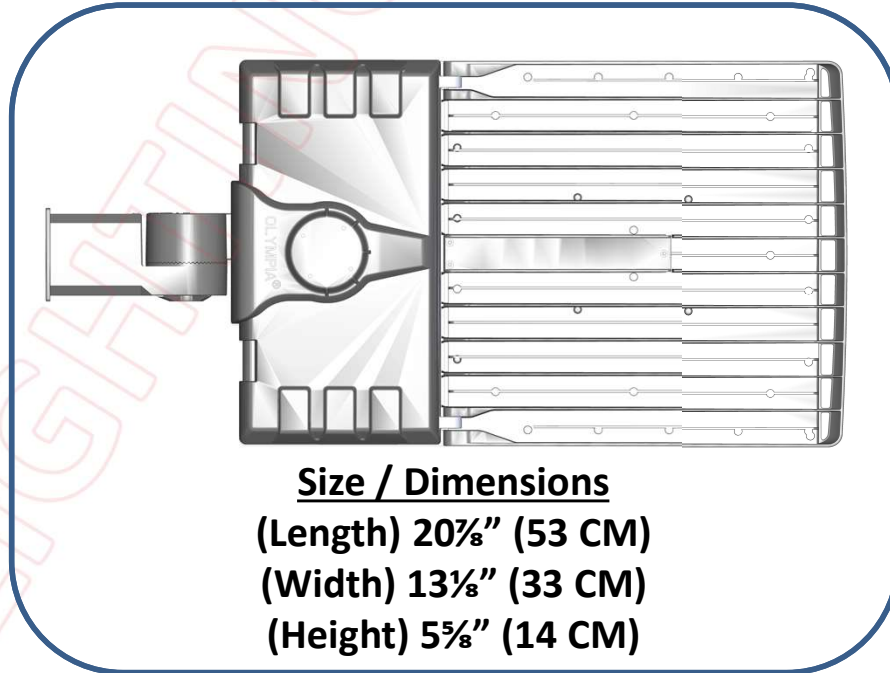
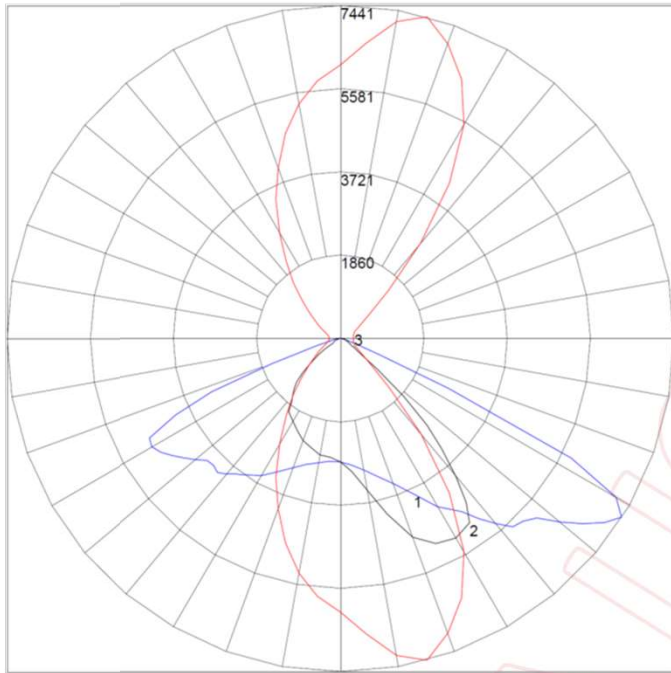
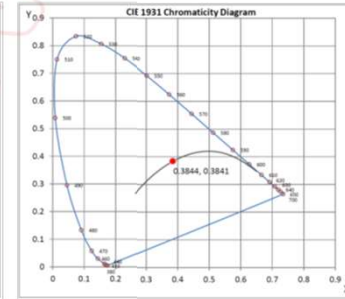
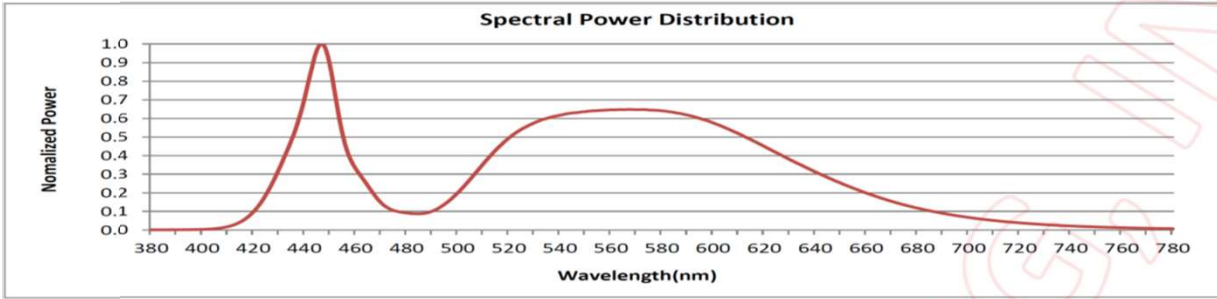
Model	Product	Size	Power	Flux	Equal
SBL-420W-50K-277V DLC ID: P0PF8IBJ	LED Shoe Box Fixture 420W 5000K 277V	(L) 20 <sup>7</sup> / <sub>8</sub> " (W) 13 <sup>1</sup> / <sub>8</sub> " (D) 5 <sup>5</sup> / <sub>8</sub> "	420W Typ.	63,000 Lumens	1,500W Metal Halide Lamp
SBL-420W-50K-480V DLC ID: P6I2F0FX	LED Shoe Box Fixture 420W 5000K 480V				

- "277V": 120-277Vac | "480V": 208-480Vac ~50/60Hz • P.F. > 0.9 • THD <20% • Pigtail Wire Cable •
- (\*) Rated Life > 50,000 Hrs. (L<sub>70</sub> B<sub>50</sub>) at T<sub>[A]</sub> 25°C Max. •
- CCT 5000K (50K) ±10% • CRI ≈ 74 • 150 lm/W •
- Operating Temperature Range -30°C (-22°F) to +45°C (113°F) @ 20%~90% RH •



Smart LED Lighting

# 420W LED Shoebox Fixture



**Size / Dimensions**  
 (Length) 20<sup>7</sup>/<sub>8</sub>" (53 CM)  
 (Width) 13<sup>1</sup>/<sub>8</sub>" (33 CM)  
 (Height) 5<sup>5</sup>/<sub>8</sub>" (14 CM)

Model	Product	Power	Equivalent
SBL-420W-50K-xxxV	LED Shoebox Luminaire 420W 5000K xxxV	420W	1,500W MH/HPS
Input Voltage	Power/Power Factor	Efficacy	Flux
277V: 120-277Vac 480V: 208-480Vac ~50/60Hz	420W P.F. ≈ 0.99	150 Lumens per Watt	63,000 Lumens
Color Rendering	Color Temperature	Beam Angle	Life
CRI 74	50K: CCT 5000K ±10%	150°x75°	5-Years / 50,000 Hrs (L <sub>70</sub> B <sub>50</sub> ) T <sub>[A]</sub> 25°C Max.



Smart LED Lighting



# LED Shoebox Fixture Mounting Accessories

"SC": Shorting Cap

"PC" Photo Cell Sensor →



Tenon "ASF":  
Adjustable Slip Fitter

Tenon "FST":  
Flat Side Tenon

Tenon "RST":  
Round Side Tenon

Tenon "ATM":  
Adjustable  
Trunnion Mount



Mount ▶	ASF	FST	RST	ATM
	Adjustable Slip Fitter	Flat Side Tenon	Round Side Tenon	Adj. Trunnion Mount
Color ▶	BRZ	BLK	SVR	WHT
	Bronze	Black	Silver	White
CCT ▶	22K	30K	40K	50K
±10%	2200K	3000K	4000K	5000K
TYPE ▶	T2	T3	T4	T5
Distribution	Type II	Type III	Type IV	Type V